



# ACR COPPER FITTINGS

Cambridge™ ACR copper fittings are rugged and highly resistant to corrosion. They are used as refrigerant lines in HVAC systems and to supply hot and cold water.

## ACR 90° LONG TURN ELBOWS



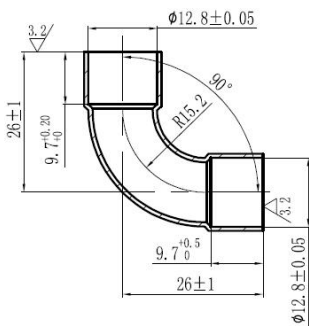
### Spec:

C x C  
90°

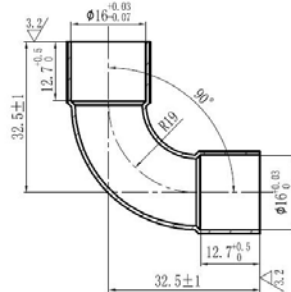
Made in compliance with ASME B16.22, NSF 61 and NSF372

ITEM#	O.D.	I.D.	PSI -20°F to 100°F	PSI 150°F	PSI 200°F	PSI 250°F	PSI 300°F	PSI 350°F	PSI 400°F	PACK QTY	CASE QTY
200251	1/2"	3/8"	777	661	635	622	609	518	389	Bag of 25	40 Bags
200247	5/8"	1/2"	721	612	589	577	564	480	360		20 Bags
200248	3/4"	5/8"	631	537	515	505	495	421	315		10 Bags
200144	7/8"	3/4"	582	495	474	466	455	387	290	Bag of 10	5 Bags
200232	1 1/8"	1"	493	419	403	395	386	329	247		
200238	1 3/8"	1 1/4"	438	373	358	351	344	292	219		

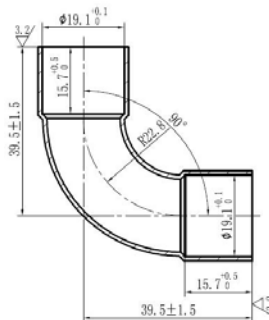
200251



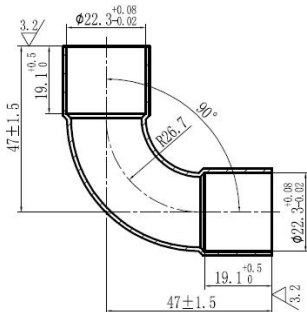
200247



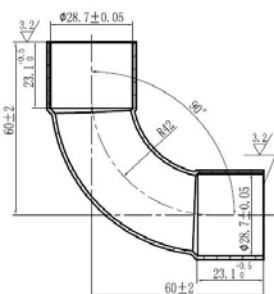
200248



200144



200232



200238

