



# ACR COPPER FITTINGS

Cambridge™ ACR copper fittings are rugged and highly resistant to corrosion. They are used as refrigerant lines in HVAC systems and to supply hot and cold water.

## ACR 90° STREET ELBOWS



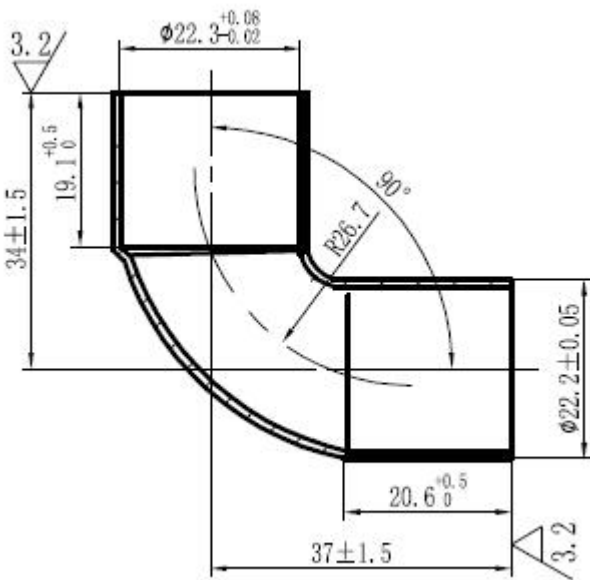
### Spec:

FTG x C  
90°

Made in compliance with ASME B16.22, NSF 61 and NSF372

ITEM#	O.D.	I.D.	PSI -20°F to 100°F	PSI 150°F	PSI 200°F	PSI 250°F	PSI 300°F	PSI 350°F	PSI 400°F	PACK QTY	CASE QTY
200345	7/8"	3/4"	582	495	474	466	455	387	290	Bag of 10	30 Bags
200346	1 1/8"	1"	493	419	403	395	386	329	247		10 Bags

200345



200346

