



# CIRCUIT BREAKERS

## SERIES TYPE II (12VDC) - MODIFIED RESET

Cambridge™ offers a wide variety of Single Pole Thermal Type Circuit Breakers in plastic or metal housings; with or without brackets; and with AMP ratings ranging from 5AMP - 50AMP. Their usage is common in automotive circuitry, power outlet strips, trolling motors, portable generators, and welding equipment

### CIRCUIT BREAKER KEY

**1 1 2 A 0 5 - B 5 P**

#### Type+Voltage

112: Type I, 12VDC  
 212: Type II, 12VDC  
 324: Type III, 24VDC  
 124: Type I, 24VDC  
 224: Type II, 24VDC

#### Terminal

A: Two 10-32 studs;  
 .66 (Aux), .56 (Bat)  
 B: Two 10-32 studs;  
 .56 (Aux & Bat)  
 C: Two 10-32 studs;  
 .66 (Aux & Bat)  
 D: Two .25 QC;  
 (Aux & Bat)\*\*\*  
 H: One 10-32 stud;  
 .56 (Bat), Double .25  
 QC (Aux)\*\*  
 L: Two 10-32 studs; .37  
 (Aux & Bat)

#### Rating

05 - 5 amps  
 08 - 8 amps  
 10 - 10 amps  
 12 - 12 amps  
 15 - 15 amps  
 20 - 20 amps  
 25 - 25 amps  
 30 - 30 amps  
 35 - 35 amps  
 40 - 40 amps  
 50 - 50 amps

#### Bracket

0 - No Bracket  
 A - Bracket  
 B - Bracket  
 C - Bracket  
 E - Bracket  
 (Plastic Only)

#### Mounting Holes

0 - No Bracket  
 1 - 0.140 ø  
 2 - 0.196 ø  
 3 - 0.237 ø (Metal only)  
 4 - 0.265 ø (Plastic only)  
 5 - 0.228 ø (Plastic only)  
 6 - 0.221 ø (Metal only)

#### Cover\*

M - Metal\*  
 P - Plastic\*

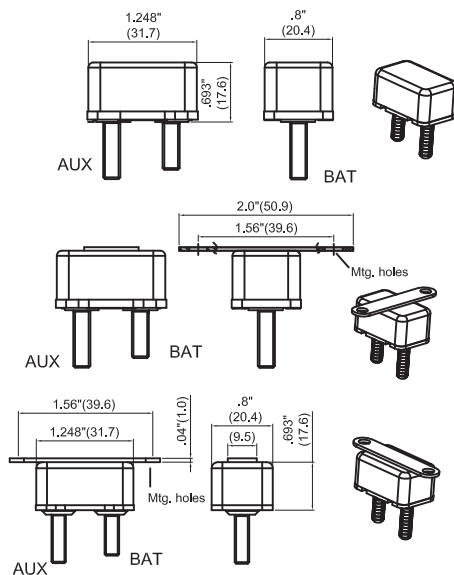
Two nuts included with each circuit breaker

\*Series 312 available in plastic cover only. Series 212 & 224 available in metal cover only.

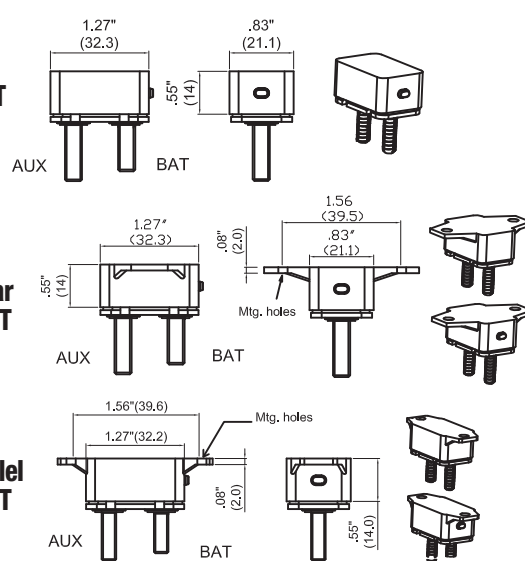
\*\*40A maximum

\*\*\*30A maximum

### Circuit Breaker w/ METAL Cover



### Circuit Breaker w/ PLASTIC Cover



**premium.  
 industrial.  
 products.**



**SPECIFICATIONS:** Single-Pole Thermal Type Breakers

**Rating:** 5-50A, 14VDC, 28VDC (for Type II & Type III)

**Interrupt Rating (Branch Circuit Protection):** 2.5KA @ 12 VDC (Type I & Type I-28VDC, Sealed & Type III)

**Operating Temperature:** -40°F (-40°C) to 185°F (85°C)

**Storage Temperature:** -40°F (-40°C) to 260°F (125°C)

**Materials:** Black UL Rated Thermoplastic Body (Thermo set for Type II Body & Button); Cover is Gray Thermoplastic or Steel, Type I-Gold, Type II-Silver

**Terminal:** #10-32 Thread and Quick-Connector Available

**Torque:** 24 in-lbs (2.7 Nm) max

**Mounting Torque:** Plastic cover: 15 in-lbs (1.7 Nm); Metal cover: 30 in-lbs (3.4 Nm)

**Ingress Protection:** IP66 On plastic cover version only (except for terminals)

**Compliances:** SAE J553; SAE J1171 (Consult factory for Ignition Protection Rating)

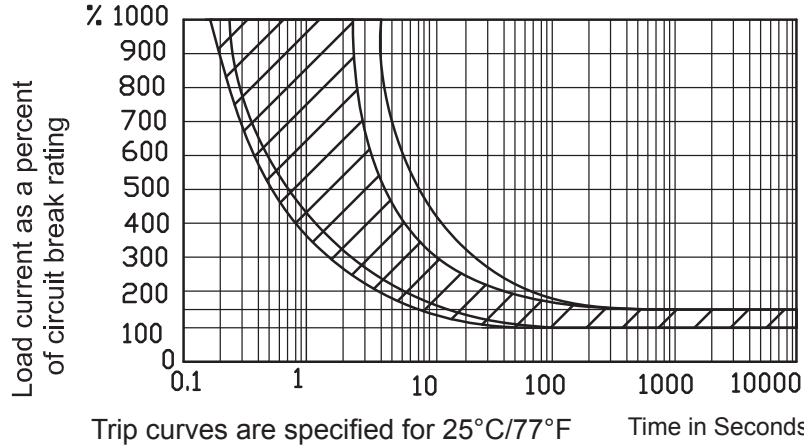
## SERIES TYPE II (12VDC) - MODIFIED RESET

ITEM #	TERMINAL	RATING	BRACKET	MOUNTING HOLE DIA. Inches	CASE QTY
212A50-A2M	Two 10-32 studs; 0.66" (AUX); 0.56" (Bat)	50 AMP	A	0.196	300
212A50-00M	Two 10-32 studs; 0.66" (AUX); 0.56" (Bat)	50 AMP	N/A	N/A	300
212A40-00M	Two 10-32 studs; 0.66" (AUX); 0.56" (Bat)	40 AMP	N/A	N/A	300
212A30-A3M	Two 10-32 studs; 0.66" (AUX); 0.56" (Bat)	30 AMP	A	0.237	300
212A25-00M-01-WA	Two 10-32 studs; 0.66" (AUX); 0.56" (Bat)	25 AMP	N/A	N/A	300
212A15-00M-01-WB	Two 10-32 studs; 0.66" (AUX); 0.56" (Bat)	15 AMP	N/A	N/A	300
212A15-B3M	Two 10-32 studs; 0.66" (AUX); 0.56" (Bat)	15AMP	B	0.237	300
212D15-00M	Two 0.250" Quick Connect Tabs; (AUX & Bat)	15 AMP	N/A	N/A	300
212A10-B3M	Two 10-32 studs; 0.66" (AUX); 0.56" (Bat)	10AMP	B	0.237	300

\*Reset when powered down after circuit is broken

**premium.  
industrial.  
products.**

	100%	150%	200%	300%
Less than 25A	> 1,800 sec	< 600 sec.	5 ~ 40 sec.	2 ~ 8 sec.
Over 30A	> 1,800 sec	< 600 sec.	15 ~ 70 sec.	4 ~ 12 sec.



Derating Factor	
0°C	x 1.46
10°C	x 1.35
15°C	x 1.14
18°C	x 1.11
25°C	x 1.00
32°C	x 0.92
40°C	x 0.82
50°C	x 0.70
60°C	x 0.57

