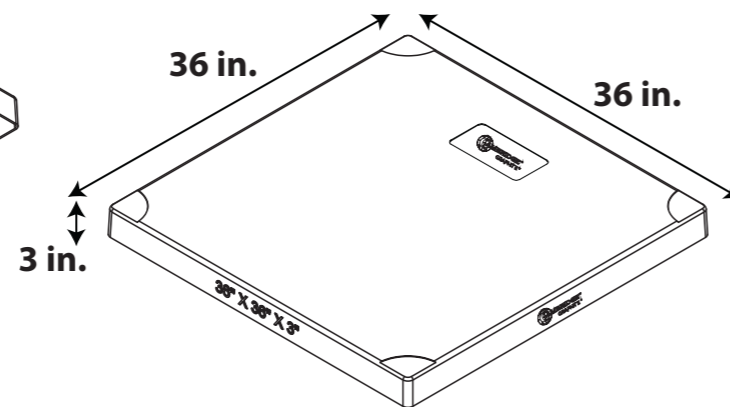
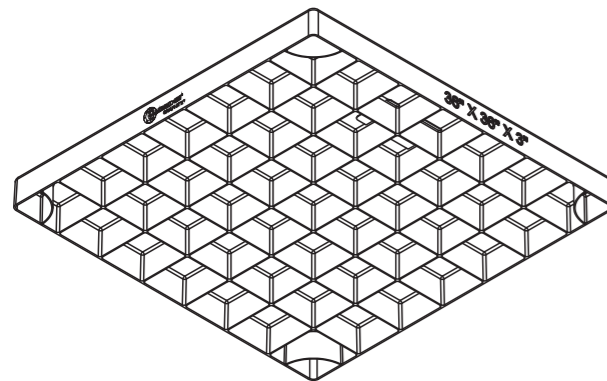
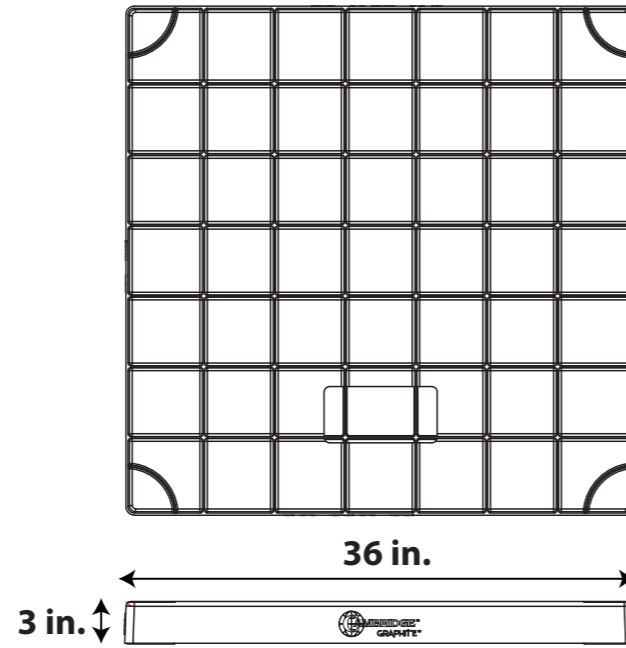
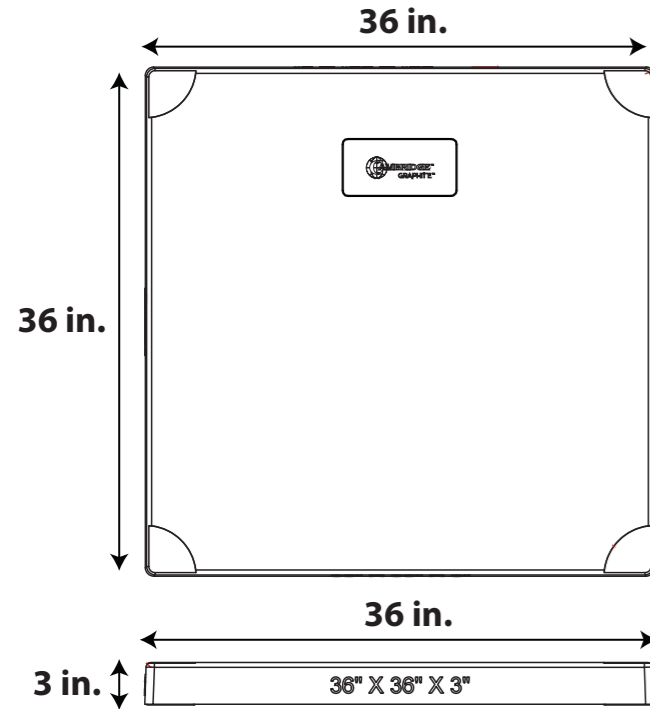




GRAPHITE

- Notes:**
1. Color: Gray
 2. Material: Polypropylene
 3. Weight: 16.70 lbs



Consistent Ribbing Transfers Load

Generous ribbing underneath the pad spreads the load evenly and ensures pad strength.

Precise Top Texture

Helps prevent equipment from moving and enhances stability.

Easy to Identify Size

Size of these pads are written out on the sides for easy identification.

Additional Surface Support

The bottom of our Cambridge pad shows an abundance of ribbing plus additional surface to increase pad strength.

Lightweight

Cambridge pads are light, durable and maneuverable

Multiple Sizes

Comes in multiple sizes to match all kinds of equipment.
This drawing is: 36" x 36" x 3"

Stackable

Cambridge pads stack which allows for easy shipping and warehousing.

Polypropylene

Colored gray to match cement and exterior aesthetic.

UV Stabilized