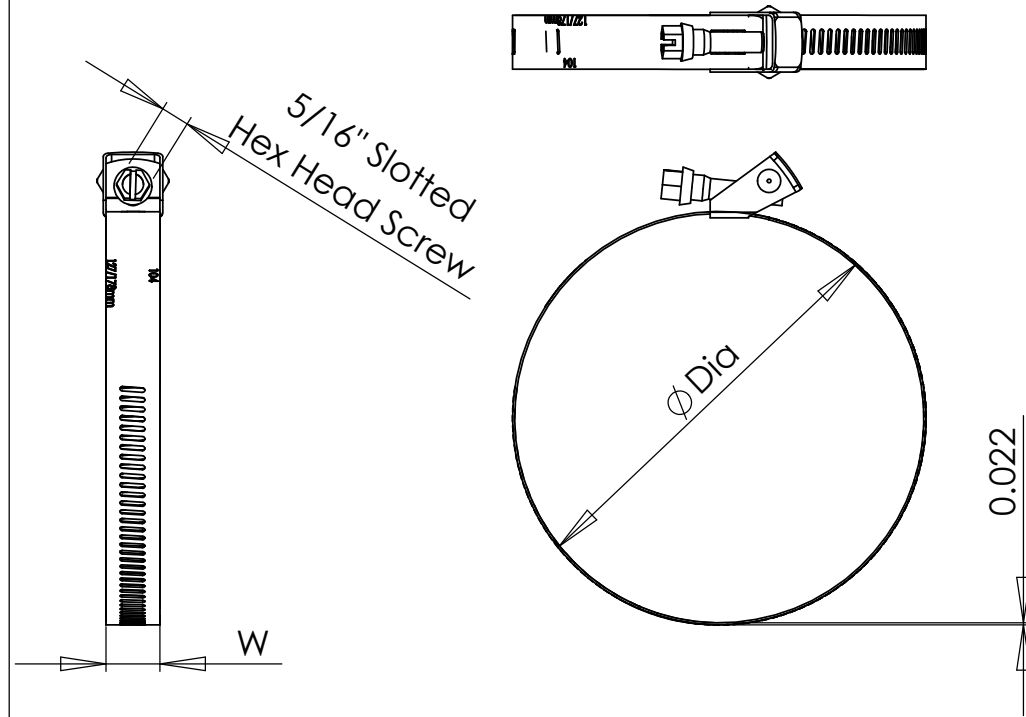


Rev.	Date	Notes
1	02-01-08	Initial Release
A	08-04-09	SIZE TABLE UPDATED



PART NO	MIN DIA	MAX DIA	W
QR-104	1-3/4"	7"	1/2"
QR3-104	1-3/4"	7"	9/16"
QR-128	1-3/4"	8-1/2"	1/2"
QR3-128	1-3/4"	8-1/2"	9/16"
QR-152	1-3/4"	10"	1/2"
QR3-152	1-3/4"	10"	9/16"
QR-188	1-3/4"	12-1/4"	1/2"
QR3-188	1-3/4"	12-1/4"	9/16"
QR-232	1-3/4"	15"	1/2"
QR3-232	1-3/4"	15"	9/16"
QR-258	1-3/4"	16-1/4"	1/2"
QR3-258	1-3/4"	16-1/4"	9/16"
QR-288	1-3/4"	18-1/2"	1/2"
QR3-288	1-3/4"	18-1/2"	9/16"
QR-312	1-3/4"	20"	1/2"
QR3-312	1-3/4"	20"	9/16"



PROPRIETARY AND CONFIDENTIAL
 THE INFORMATION CONTAINED IN THIS DRAWING IS THE SOLE PROPERTY OF **CODA RESOURCES**. ANY REPRODUCTION IN PART OR AS A WHOLE WITHOUT THE WRITTEN PERMISSION OF **CODA RESOURCES** IS PROHIBITED.

Notes:

1. RoHS Compliant - No Hexavalent Chromium - Cr(VI)
2. Material: Band and Housing - 200 Series Stainless Steel
Screw - Zinc Plated
3. Durability Torque 60 in-lbsMin
4. Screw should turn freely by hand when disengaged
5. All surfaces to be clean and polished
6. Parts to be free of burrs and sharp edges

NAME	DATE	CODA RESOURCES 960 Alabama Ave, Brooklyn, NY 11207 P:718-649-1666 F:718-485-4403	
DRAWN	J Li 2/5/08		
UNLESS OTHERWISE SPECIFIED:		TITLE: Quick Release Clamps	
DIMENSIONS ARE IN INCHES [] DENOTES MILLIMETER TOLERANCES x.xx ± 0.02 [0.51] x.xxx ± 0.005 [0.13]		SIZE	
MATERIAL See Notes		DWG. NO. A QR Hose Clamps Rev A	
FINISH Semi-Polished		REV A	
DO NOT SCALE DRAWING		SCALE: 1:2	
		SHEET 1 OF 1	