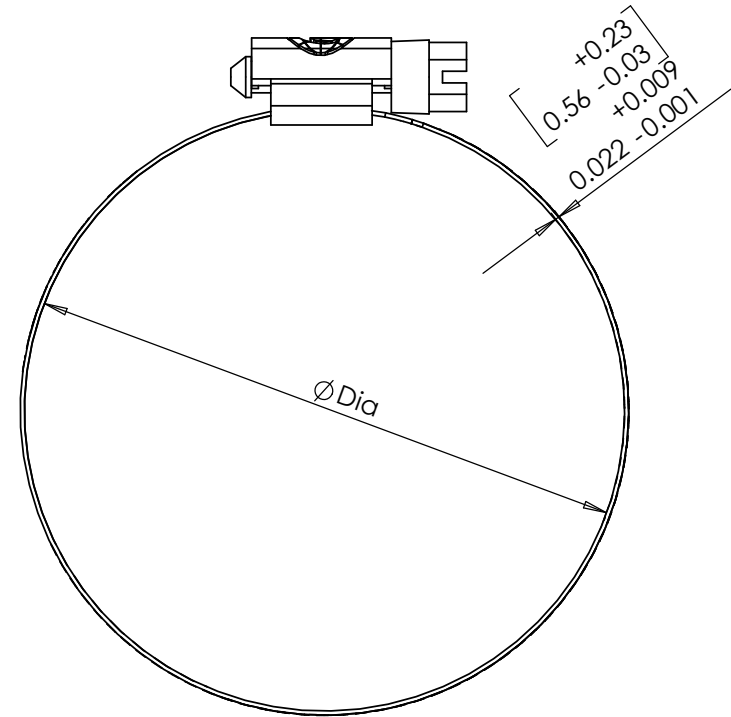
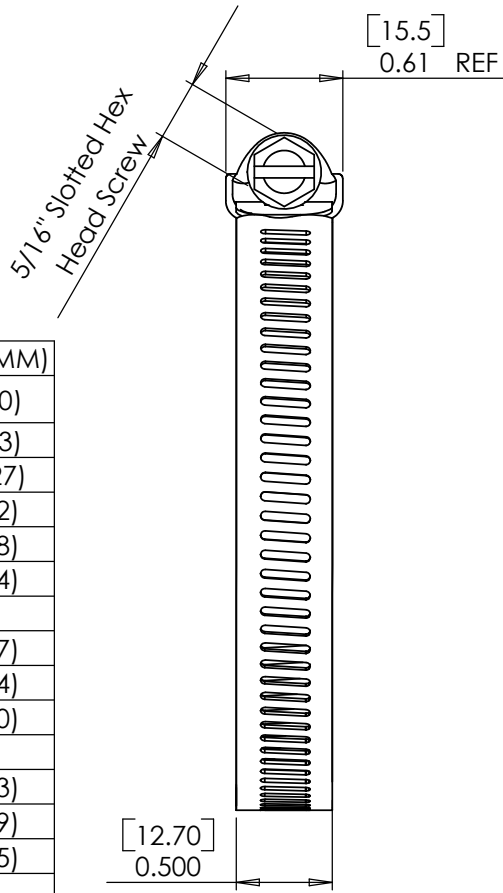
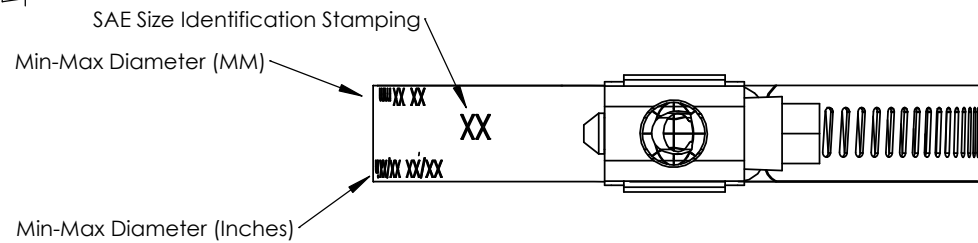


Rev.	Date	Notes
A	10/01/09	Initial Release



PART #	MIN DIA (MM)	MAX DIA (MM)
HC2-6E	7/16" (11)	25/32" (20)
HC2-8E	1/2" (13)	29/32" (23)
HC2-10E	9/16" (14)	1-1/16" (27)
HC2-12E	11/16" (17)	1-1/4" (32)
HC2-16E	13/16" (21)	1-1/2" (38)
HC2-20E	13/16" (21)	1-3/4" (44)
HC2-24E	1-1/16" (27)	2" (51)
HC2-28E	1-5/16" (33)	2-1/4" (57)
HC2-32E	1-9/16" (40)	2-1/2" (64)
HC2-36E	1-13/16" (46)	2-3/4" (70)
HC2-40E	2-1/16" (52)	3" (76)
HC2-44E	2-5/16" (59)	3-1/4" (83)
HC2-48E	2-9/16" (65)	3-1/2" (89)
HC2-52E	2-13/16" (71)	3-3/4" (95)
HC2-56E	3-1/16" (78)	4" (102)
HC2-64E	3-9/16" (90)	4-1/2" (114)
HC2-72E	4-1/8" (105)	5" (127)
HC2-80E	4-5/8" (117)	5-1/2" (140)
HC2-88E	5-1/8" (133)	6" (152)
HC2-96E	5-5/8" (143)	6-1/2" (165)
HC2-104E	6-1/8" (159)	7" (178)



PROPRIETARY AND CONFIDENTIAL
THE INFORMATION CONTAINED IN THIS DRAWING IS THE SOLE PROPERTY OF **CODA RESOURCES**. ANY REPRODUCTION IN PART OR AS A WHOLE WITHOUT THE WRITTEN PERMISSION OF **CODA RESOURCES** IS PROHIBITED.

Notes:

1. Meets SAE J1508 Specification
2. RoHS Compliant - No Hexavalent Chromium - Cr(VI)
3. Material: Band - 200 Series Stainless Steel
Screw and Housing - Zinc Plated Steel
4. Screw Free Torque 4 in·lbs Max
5. Durability Torque 60 in·lbs Min
6. All surface to be clean and polished
7. Parts to be free of burrs and sharp edges

NAME	DATE	CAMBRIDGE 960 Alabama Ave, Brooklyn, NY 11207 P:718-649-1666 F:718-485-4403
DRAWN RH	10-01-09	
UNLESS OTHERWISE SPECIFIED:		TITLE: SERIES 2500, 1/2" BAND HOSE CLAMPS
DIMENSIONS ARE IN INCHES [] DENOTES MILLIMETER TOLERANCES x.xx ± 0.02 [0.51] x.xxx ± 0.005 [0.13]		SIZE A
MATERIAL SEE NOTES FINISH		DWG. NO. HC2-XE Series Rev A
DO NOT SCALE DRAWING		REV A
SCALE: 1:1		SHEET 1 OF 1