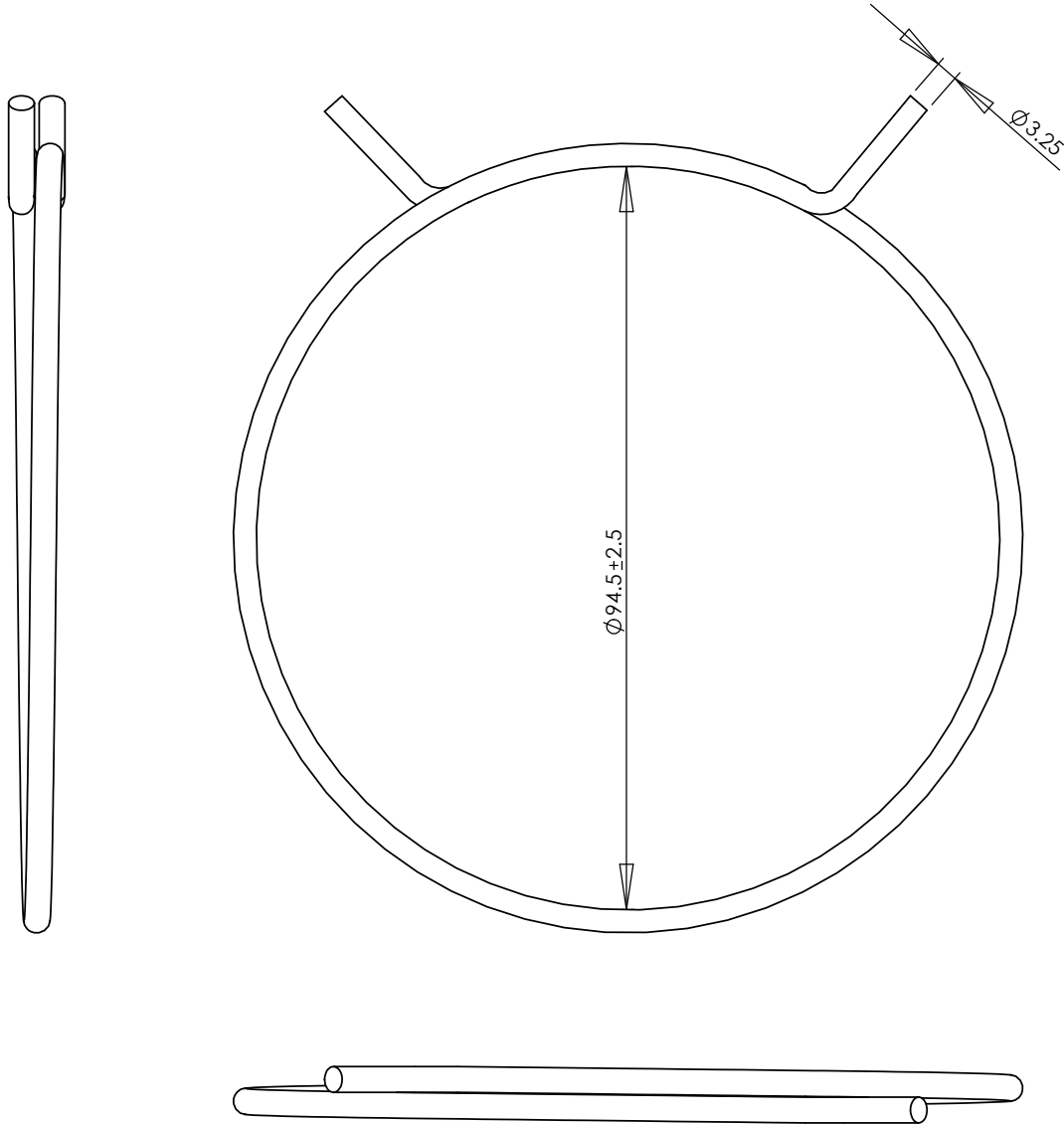


Rev.	Date	Notes
A	12/01/09	Initial Release



**PROPRIETARY AND CONFIDENTIAL**  
 THE INFORMATION CONTAINED IN THIS DRAWING IS THE SOLE PROPERTY OF **CAMBRIDGE RESOURCES**. ANY REPRODUCTION IN PART OR AS A WHOLE WITHOUT THE WRITTEN PERMISSION OF **CAMBRIDGE RESOURCES** IS PROHIBITED.

Notes:

1. Material: Spring Steel
2. RoHS Compliant
3. Clamping force when tangs are compressed to a distance of 1.5" is 13.5 lbs.

DRAWN		NAME	DATE	<b>CAMBRIDGE</b> 960 Alabama Ave, Brooklyn, NY 11207 P:718-649-1666 F:718-485-4403
RH		RH	12/01/09	
UNLESS OTHERWISE SPECIFIED:				TITLE:
DIMENSIONS ARE IN MILLIMETERS [ ] DENOTES INCHES TOLERANCES x ± 1 [0.04] x.x ± 0.5 [0.02]				Spring Clamp
MATERIAL		Steel		SIZE
FINISH				DWG. NO.
DO NOT SCALE DRAWING				55597 Rev A
				REV
				A
		SCALE: 1:1	WEIGHT:	SHEET 1 OF 1