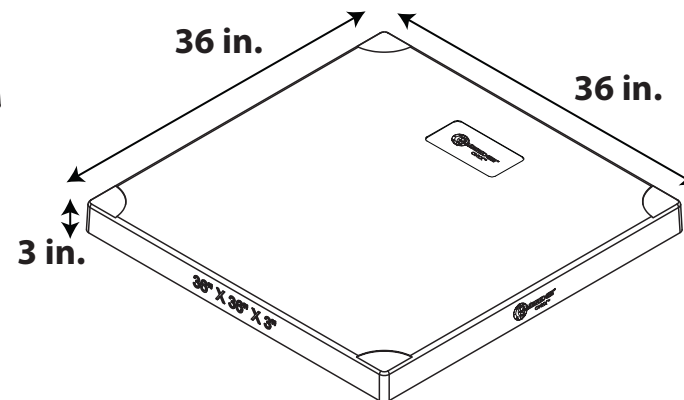
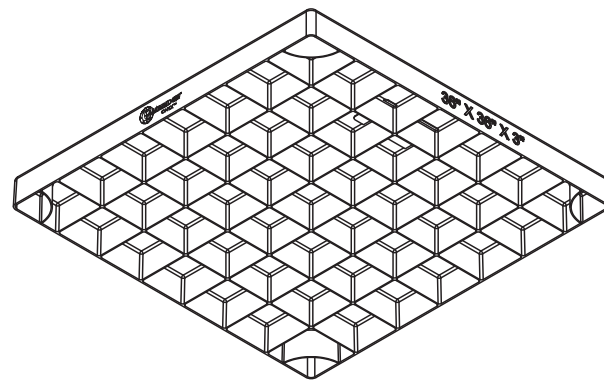
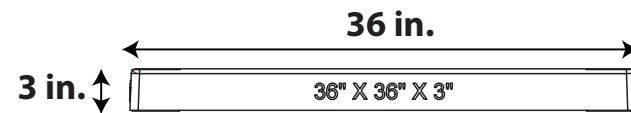
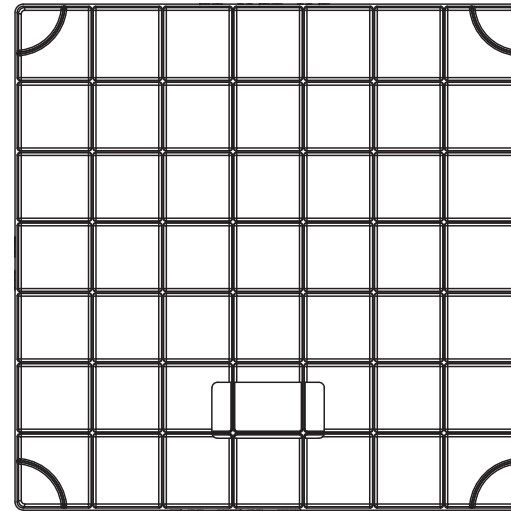
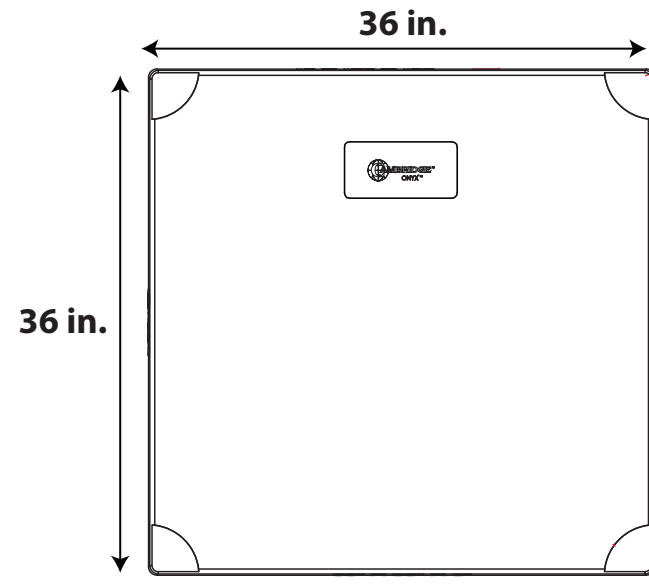


- Notes:**
1. Color: Black
  2. Material: Polypropylene
  3. Weight: 16.70 lbs



**Consistent Ribbing Transfers Load**

Generous ribbing underneath the pad spreads the load evenly and ensures pad strength.

**Precise Top Texture**

Helps prevent equipment from moving and enhances stability.

**Easy to Identify Size**

Size of these pads are written out on the sides for easy identification.

**Additional Surface Support**

The bottom of our Cambridge pad shows an abundance of ribbing plus additional surface to increase pad strength.

**Lightweight**

Cambridge pads are light, durable and maneuverable

**Multiple Sizes**

Comes in multiple sizes to match all kinds of equipment.  
This drawing is: 36" x 36" x 3"

**Stackable**

Cambridge pads stack which allows for easy shipping and warehousing.

**UV Stabilized**