



# TECHNICAL SPECIFICATION SHEET CTS HALF CLAMPS

960 Alabama Ave  
PH: 877-922-2538

Brooklyn, NY 11207  
FAX: 718-485-4403

**TECHNICAL SPECIFICATION:** Cambridge CTS Standard Clamps are used for secure residential and commercial installation of copper, PEX, or CPVC tubing. They are equipped with a pre-loaded nail which makes for easy installation.

### PHYSICAL/CHEMICAL PROPERTIES

Material: High Impact Polyethylene,  
zinc plated steel annular nail  
Color: Gray

### APPROVALS/LISTINGS/COMPLIANCY

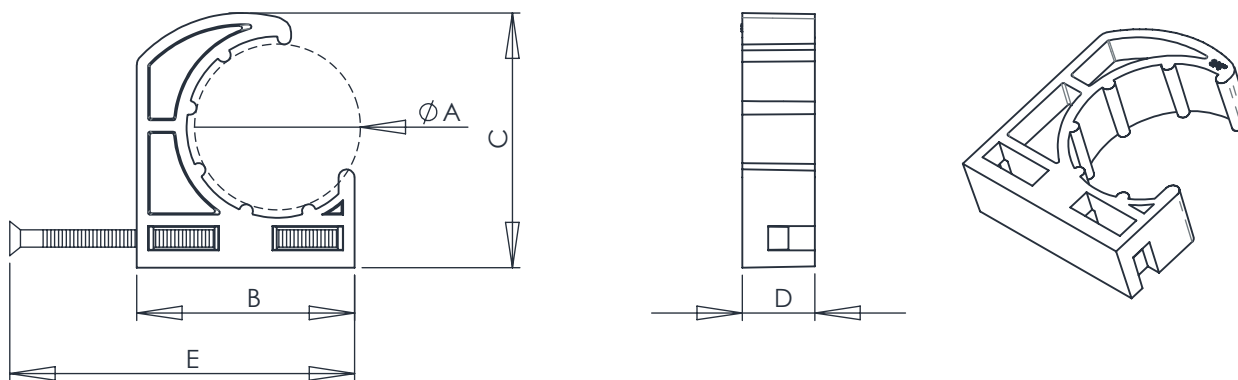
Parts compliant with RoHS, California Proposition 65, EU REACH SVHC, and US Consumer Product Safety Commission directives for hazardous substances.

### DIRECTIONS FOR USE

Snap clamp around tube and slide into desired position. Secure clamp with pre-loaded nail. Position the nail side of the clamp on alternating sides of the tube for most secure mounting. Check with local codes for proper pipe support spacing.

### COMMON APPLICATIONS

Compatible with CTS Copper, PEX or CPVC tube. Can be used on all types of piping.



Part Number	"A" Tube Size (CTS)	B	C	D	E
PH-HC50	1/2"	0.8"	1"	0.4"	1.5"
PH-HC75	3/4"	1.1"	1.3"	0.4"	2"