



960 Alabama Ave  
PH: 877-922-2538

Brooklyn, NY 11207  
FAX: 718-485-4403

# TECHNICAL SPECIFICATION SHEET

## CTS-DWV J-HOOK CLAMPS

**TECHNICAL SPECIFICATION:** Cambridge CTS-DWV J-Hook Clamps are used to support drain, waste and vent piping from rafters and joists on all Schedule 30 and 40 piping, copper, PEX, CPVC and other CTS/DWV sized piping. It is made of high impact corrosion-proof ABS resin and allows for secure contraction and expansion of the piping system. Its two ring-shank nails are provided for secure installation.

### PHYSICAL/CHEMICAL PROPERTIES

Material: High Impact ABS, zinc plated steel annular nail.  
Color: White

### APPROVALS/LISTINGS/COMPLIANCY

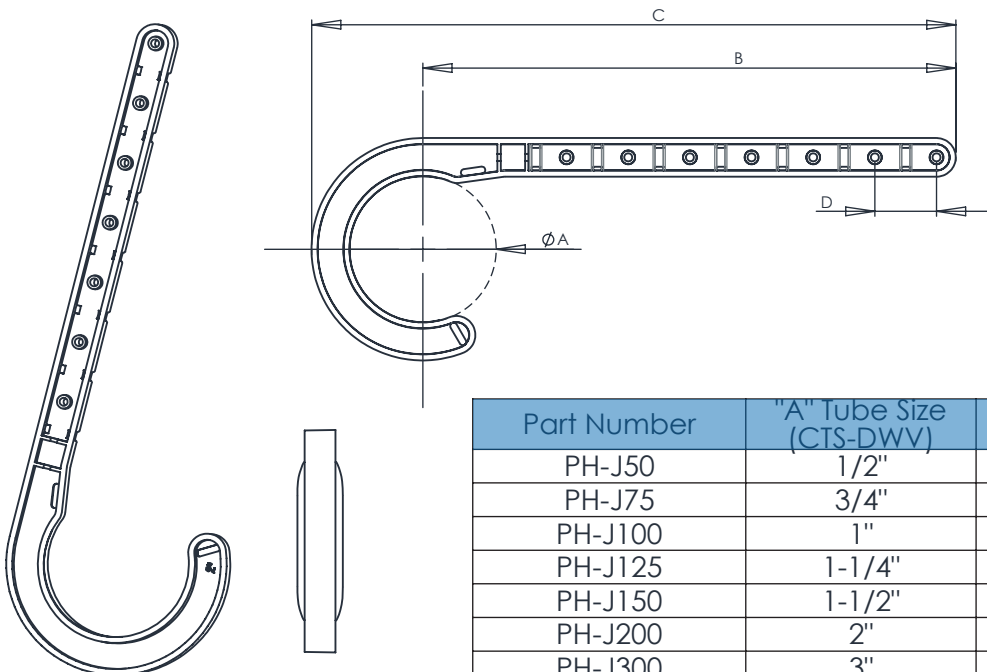
Parts compliant with RoHS, California Proposition 65, EU REACH SVHC, and US Consumer Product Safety Commission directives for hazardous substances.

### DIRECTIONS FOR USE

Snap clamp around tube and locate into desired position. Clamp can be secured using two nails supplied with clamp. Check with local codes for proper pipe support spacing.

### COMMON APPLICATIONS

Compatible with CTS, and DWV Schedule 30 and 40 piping. Can be used on all copper, PEX, CPVC and other CTS/DWV sized piping.



Part Number	"A" Tube Size (CTS-DWV)	B	C	D
PH-J50	1/2"	5.3"	6"	0.6"
PH-J75	3/4"	5.7"	6.5"	0.6"
PH-J100	1"	6.4"	7.3"	0.8"
PH-J125	1-1/4"	6.5"	7.7"	0.8"
PH-J150	1-1/2"	8.6"	10"	1"
PH-J200	2"	8.6"	10.5"	1"
PH-J300	3"	10"	12.5"	1"
PH-J400	4"	10"	13"	1"