



960 Alabama Ave  
PH: 877-922-2538

Brooklyn, NY 11207  
FAX: 718-485-4403

**TECHNICAL SPECIFICATION SHEET**

**CTS STANDARD  
CLAMPS**

**TECHNICAL SPECIFICATION:** Cambridge CTS Standard Clamps are used for secure residential and commercial installation of copper, PEX, or CPVC tubing. The split design allows for use after piping has been installed. Ribs allow pipe to glide easily when expanding and contracting.

**PHYSICAL/CHEMICAL PROPERTIES**

Material: High Impact Polypropylene  
Color: Gray

**APPROVALS/LISTINGS/COMPLIANCY**

Parts compliant with RoHS, California Proposition 65, EU REACH SVHC, and US Consumer Product Safety Commission directives for hazardous substances.

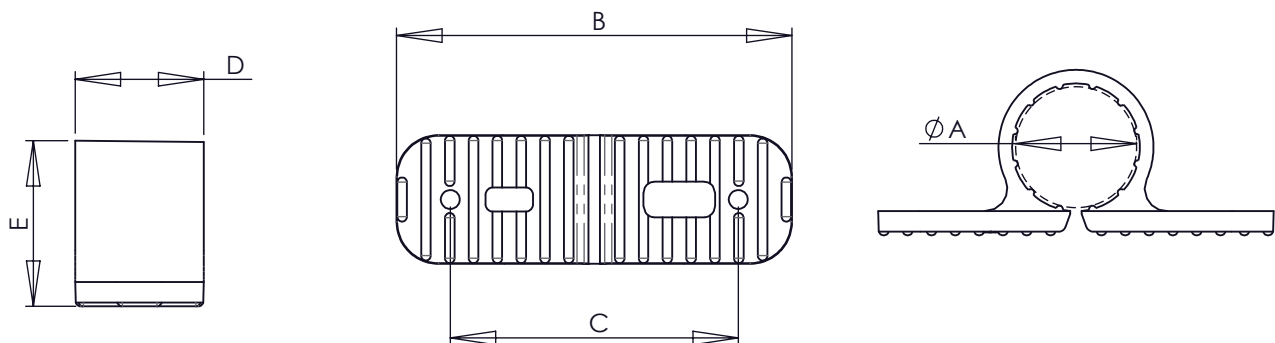


**DIRECTIONS FOR USE**

Snap clamp around tube and slide into desired position. Clamp can be secured using two nails or screws. Check with local codes for proper pipe support spacing.

**COMMON APPLICATIONS**

Compatible with CTS Copper, PEX or CPVC tube. Used to secure piping in residential and commercial applications.



Part Number	"A" Tube Size (CTS)	B	C	D	E
PH-STDC50	1/2"	2.1"	1.5"	0.7"	0.9"
PH-STDC75	3/4"	2.4"	1.6"	0.7"	1.2"