



960 Alabama Ave
PH: 877-922-2538

Brooklyn, NY 11207
FAX: 718-485-4403

TECHNICAL SPECIFICATION SHEET

CTS SUSPENSION CLAMPS

TECHNICAL SPECIFICATION: Cambridge CTS Suspension Clamps are used to secure CTS piping in residential and commercial applications. Its split design allows for use after piping has been installed. The ribs allow the pipe to glide easily when expanding and contracting.

PHYSICAL/CHEMICAL PROPERTIES

Material: High Impact Polypropylene
Color: Gray

APPROVALS/LISTINGS/COMPLIANCY

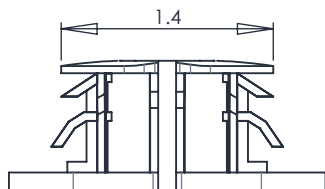
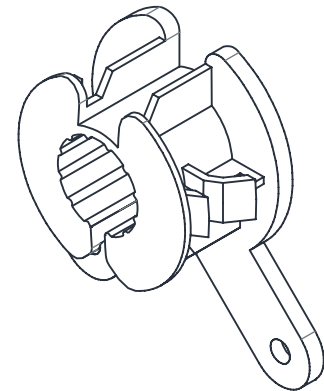
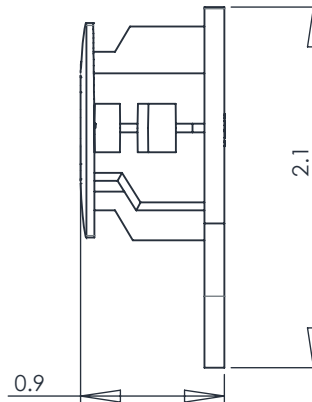
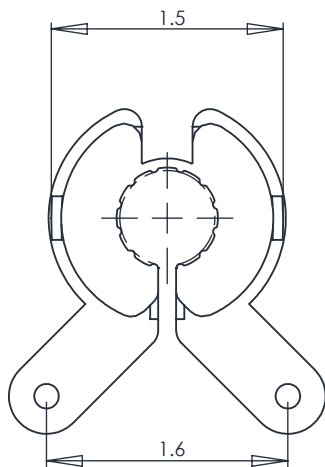
Parts compliant with RoHS, California Proposition 65, EU REACH SVHC, and US Consumer Product Safety Commission directives for hazardous substances.

DIRECTIONS FOR USE

Snap clamp around tube and slide into desired position. Clamp can be secured by inserting into a hole in a stud, or suspended using two nails or screws. Clamp will fit 1-3/8" hole in a wood stud, or 1-11/32" hole in a metal stud. Check with local codes for proper pipe support spacing.

COMMON APPLICATIONS

Compatible with CTS Copper, PEX or CPVC tube. Used to secure piping in residential and commercial applications.



Part Number	"A" Tube Size (CTS)
PH-SUSC50K	1/2"
PH-SUSC75K	3/4"