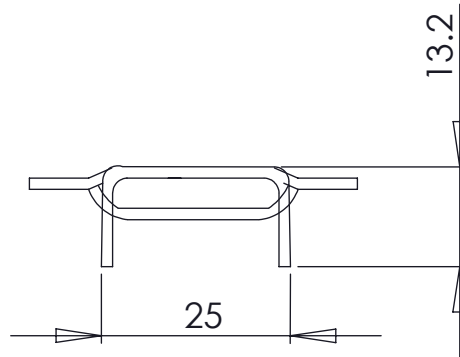
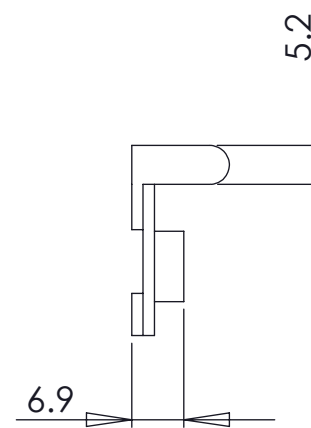
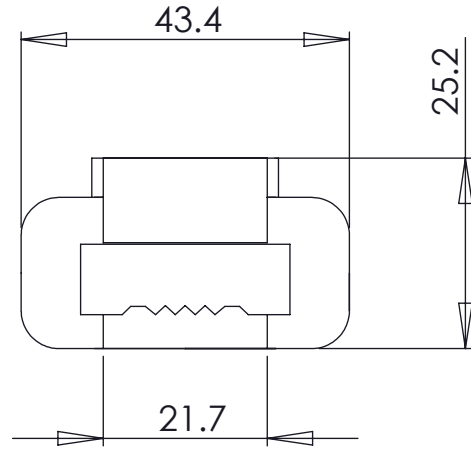


REV	DATE	NOTES
A	03/06/12	Initial Release



DRAWN	CHECKED	DATE	CAMBRIDGE		
RH	RH	03/06/12			
UNLESS OTHERWISE SPECIFIED:			TITLE:		
DIMENSIONS ARE IN MILLIMETERS [] DENOTES INCHES TOLERANCES x ± 1 [0.04] x.x ± 0.5 [0.02]			Cambridge Buckle Seal 3/4" Stainless Steel Strapping		
MATERIAL SS201			SIZE	DWG. NO.	REV
FINISH SEE NOTES			A	BU34	A
DO NOT SCALE DRAWING			SCALE: 1:1		SHEET 1 OF 1

- Notes:
- All components to be compliant with RoHS, California Proposition 65, EU REACH SVHC, and US Consumer Product Safety Commission directives for hazardous substances
 - Parts to be free of burrs and sharp edges

PROPRIETARY AND CONFIDENTIAL
 THE INFORMATION CONTAINED IN THIS DRAWING IS THE SOLE PROPERTY OF **CAMBRIDGE RESOURCES**. ANY REPRODUCTION IN PART OR AS A WHOLE WITHOUT THE WRITTEN PERMISSION OF **CAMBRIDGE RESOURCES** IS PROHIBITED.