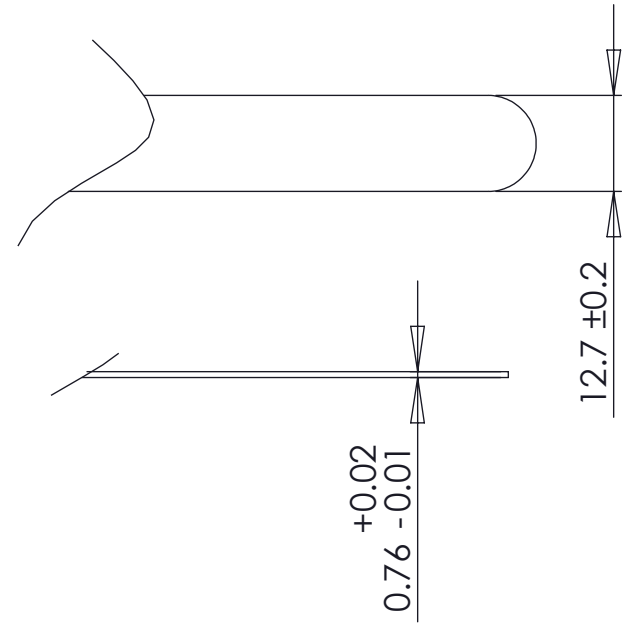
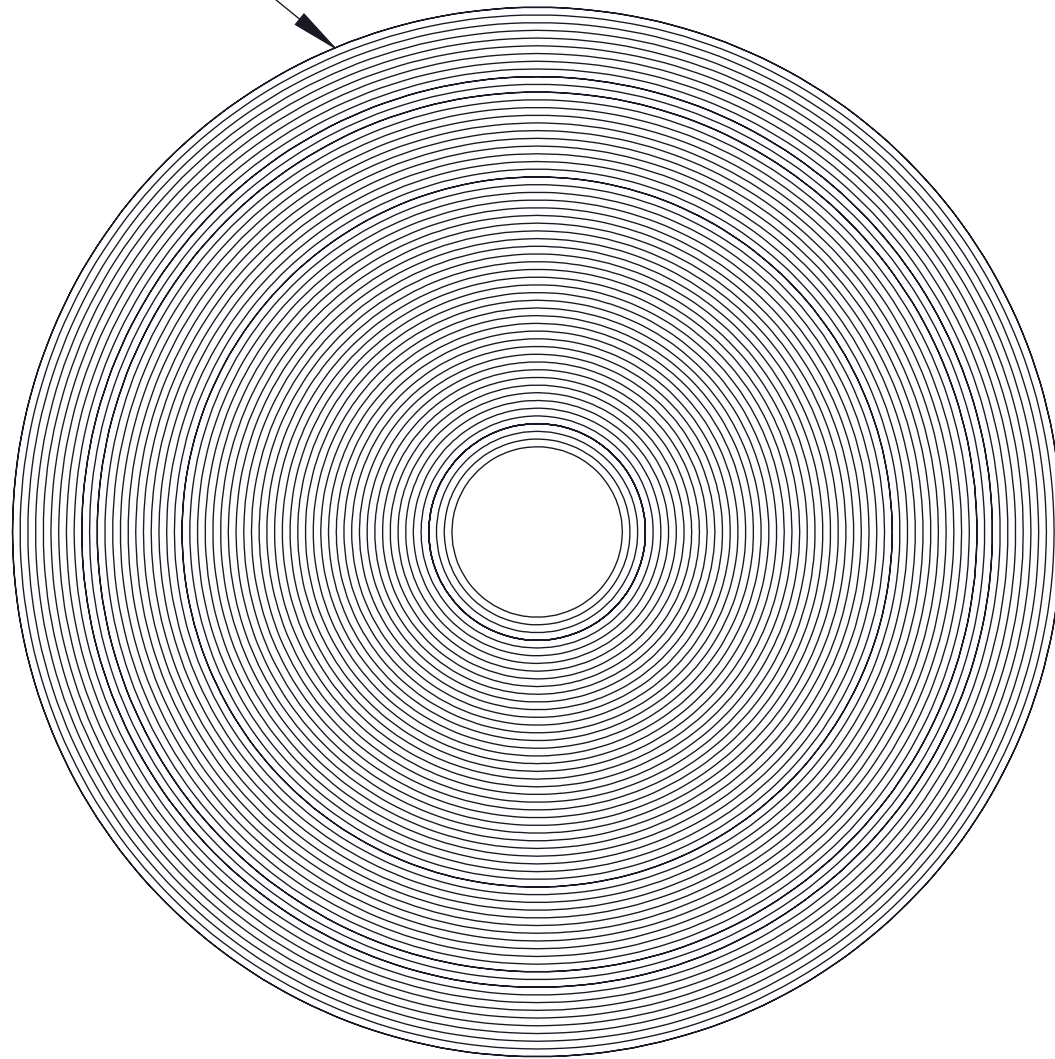


REV	DATE	NOTES
A	10/12/11	Initial Release

Roll Length = 100' ± 1'



Notes:

1. All components to be compliant with RoHS, California Proposition 65, EU REACH SVHC, and US Consumer Product Safety Commission directives for hazardous substances
2. Avg Tensile Strength = 1500 lbs
3. Parts to be free of burrs and sharp edges

**PROPRIETARY AND CONFIDENTIAL**  
 THE INFORMATION CONTAINED IN THIS DRAWING IS THE SOLE PROPERTY OF **CAMBRIDGE RESOURCES**. ANY REPRODUCTION IN PART OR AS A WHOLE WITHOUT THE WRITTEN PERMISSION OF **CAMBRIDGE RESOURCES** IS PROHIBITED.

DRAWN	CHECKED	DATE	<b>CAMBRIDGE</b> 960 Alabama Ave, Brooklyn, NY 11207 P:718-649-1666 F:718-485-4403		
RH	RH	10/11/11			
UNLESS OTHERWISE SPECIFIED:			TITLE:		
DIMENSIONS ARE IN MILLIMETERS [ ] DENOTES INCHES SEE NOTES			Cambridge 1/2" Stainless Steel Strapping		
MATERIAL SS201			SIZE	DWG. NO.	REV
FINISH SEE NOTES			<b>A</b>	SS12-100	<b>A</b>
DO NOT SCALE DRAWING			SCALE: 1:1	SHEET 1 OF 1	