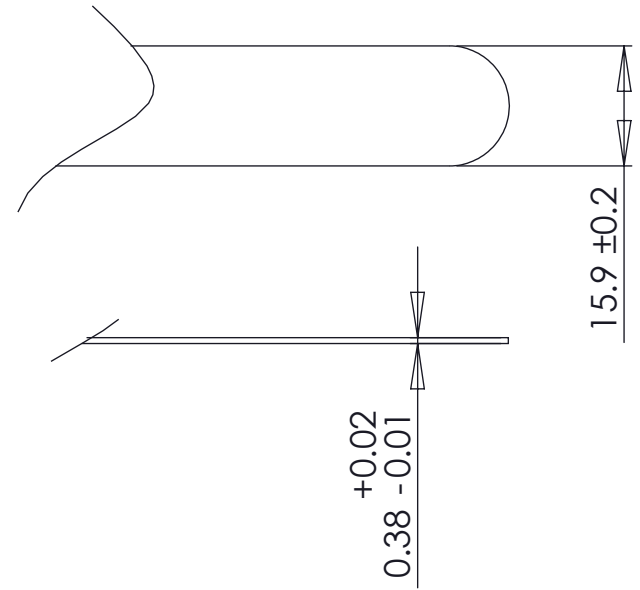
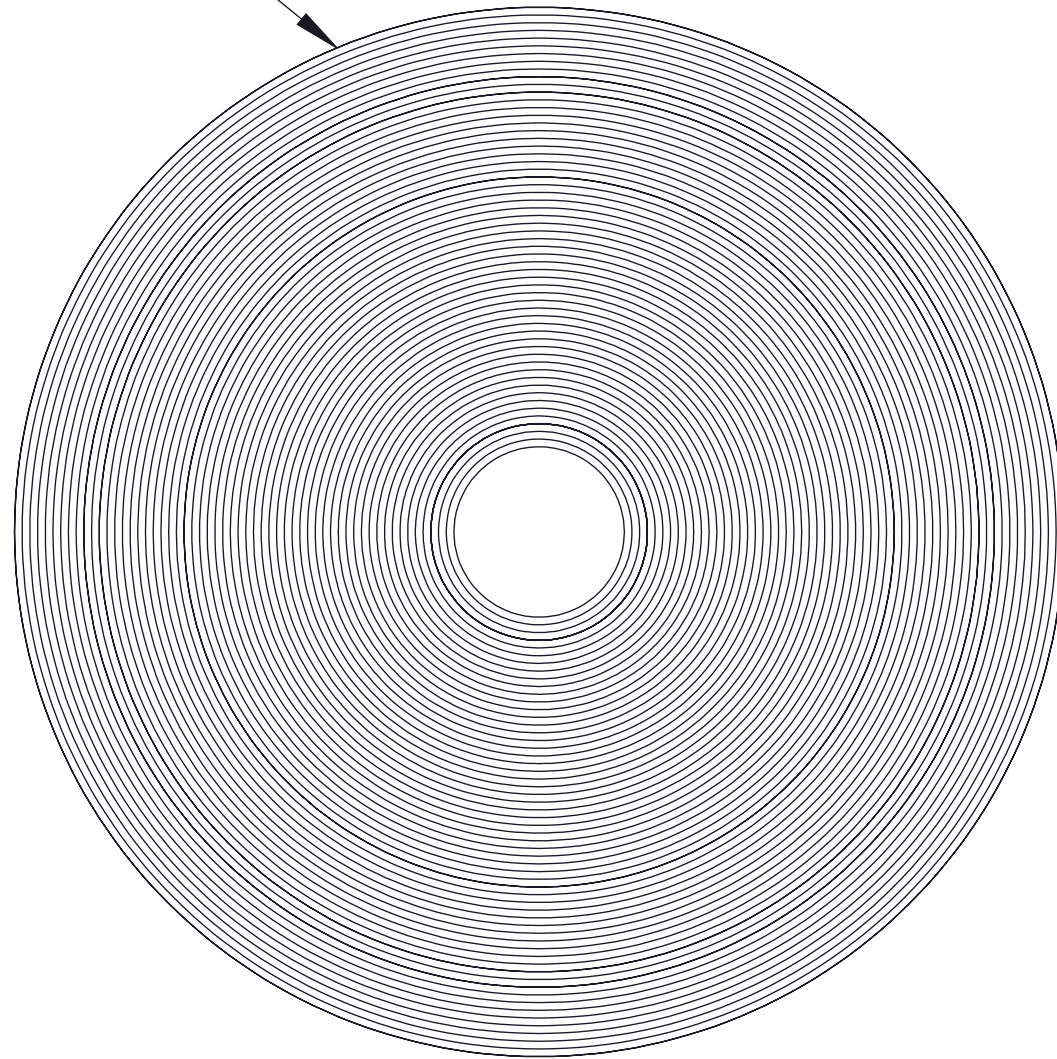


REV	DATE	NOTES
A	10/12/11	Initial Release

Roll Length = 100' ± 1'



Notes:

1. All components to be compliant with RoHS, California Proposition 65, EU REACH SVHC, and US Consumer Product Safety Commission directives for hazardous substances
2. Avg Tensile Strength = 900 lbs
3. Parts to be free of burrs and sharp edges

PROPRIETARY AND CONFIDENTIAL
 THE INFORMATION CONTAINED IN THIS DRAWING IS THE SOLE PROPERTY OF **CAMBRIDGE RESOURCES**. ANY REPRODUCTION IN PART OR AS A WHOLE WITHOUT THE WRITTEN PERMISSION OF **CAMBRIDGE RESOURCES** IS PROHIBITED.

DRAWN	CHECKED	DATE	CAMBRIDGE	
RH	RH	10/11/11	960 Alabama Ave, Brooklyn, NY 11207 P:718-649-1666 F:718-485-4403	
UNLESS OTHERWISE SPECIFIED:			TITLE:	
DIMENSIONS ARE IN MILLIMETERS [] DENOTES INCHES SEE NOTES			Cambridge LD Marine Grade 5/8" Stainless Steel Strapping	
MATERIAL SS316			SIZE	REV
FINISH SEE NOTES			A	A
DO NOT SCALE DRAWING			DWG. NO. SS58-38-MG	SHEET 1 OF 1